

Hardware Adjustment Instructions

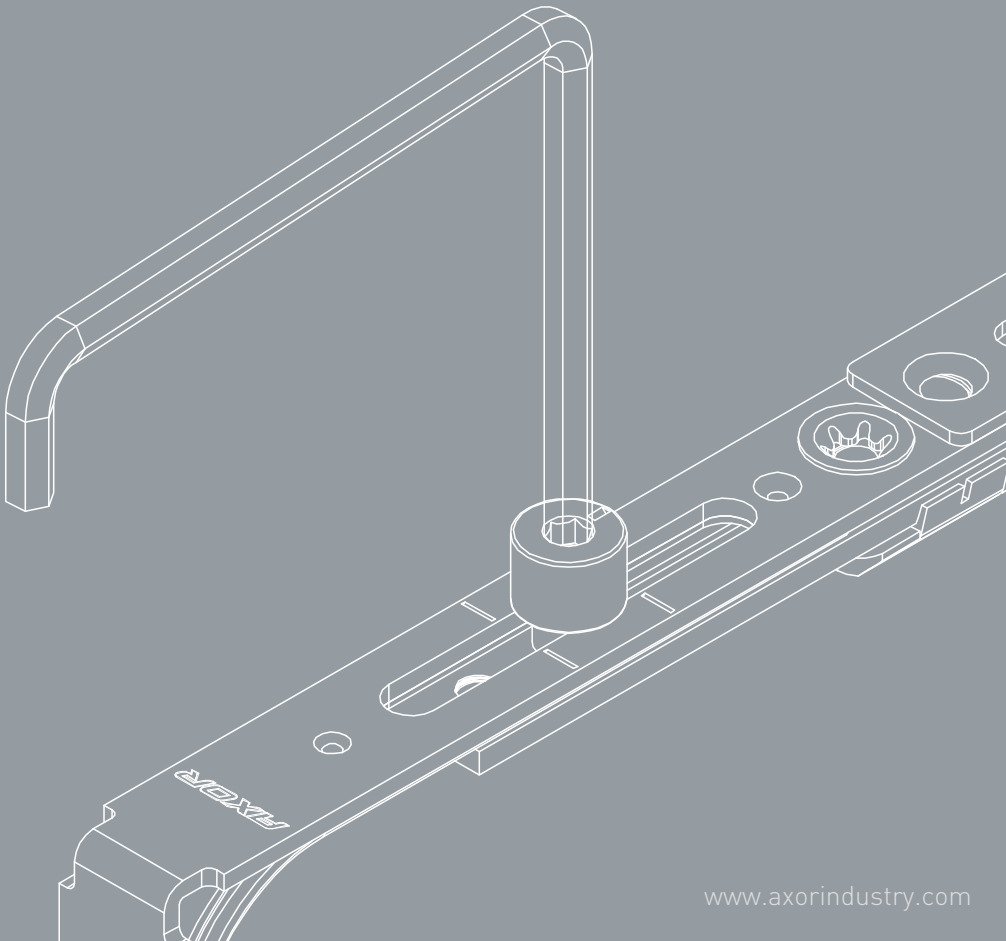


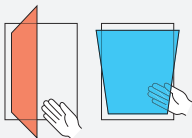
TABLE OF CONTENTS

Safety	2
Adjustment keys	3
Sash hanging	3
Pin adjustment	4
Stay arm adjustment	5
Bottom hinge adjustment	5
Lifting plate adjustment	6
Turn stay arm adjustment	6
Concealed middle hinge sash part adjustment	7
Adjustment of bottom hinge for tilt sash	7
Hardware maintenance	8

Komfort Line K-3 hardware system provides all the necessary range of adjustments for high-quality and easy installation of window and door systems, which guarantees their reliable operation over the entire service life.

These instructions are intended for companies specializing in the manufacture or installation of window and door systems.

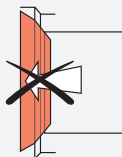
WARNING! All works related to adjustment of the hardware must be carried out by trained specialists. Otherwise, window and door systems may not work properly or fail.

**Risk of injury through trapping of body parts in the opening gap between sash and frame**

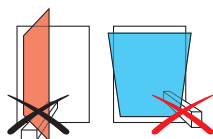
- Never reach into the opening between the sash and the outer frame when closing windows/doors.

**Risk of injury from falling through open windows and balcony doors**

- Behave with care near to open windows and doors.
- Keep children away from open windows and doors.

**Risk of injury and material damage from pressing the sash against the opening edge (reveal)**

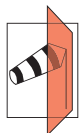
- Do not press the sash against the opening edge (reveal)

**Risk of injury and material damage from insertion of obstructions into the opening gap between sash and frame**

- Do not insert obstructions into the opening gap between sash and frame.

**Risk of injury and material damage from overloading the sash**

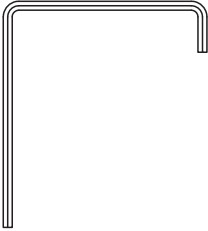
- Do not overload the sash

**Risk of injury from the effect of wind**

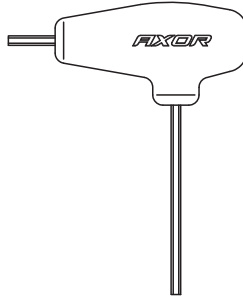
- Prevent wind from acting on the open sash.
- During wind/drafts, close and lock windows and balcony doors.

ADJUSTMENT KEYS

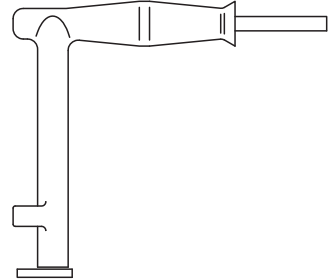
Allen key U-shaped



Allen key L-shaped



Mounting handle



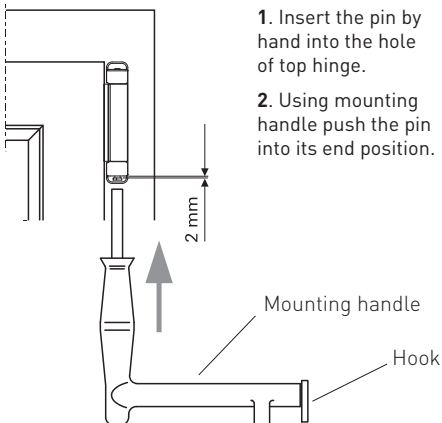
SASH HANGING

Sash installation

Insert the pin in sash closed position only and in the handle position "Opened tilt". Important! After installation of the pin move the handle to "closed" position.

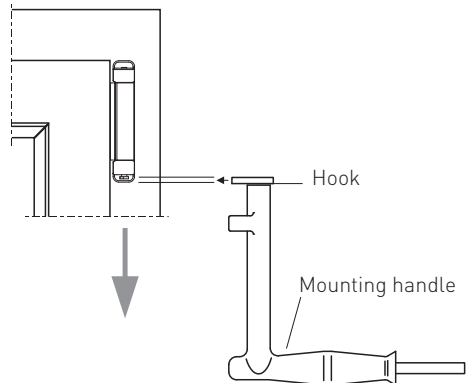
Pin installation

1. Insert the pin by hand into the hole of top hinge.
2. Using mounting handle push the pin into its end position.



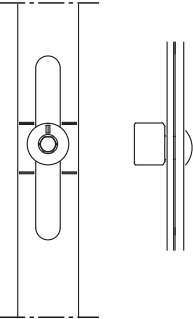


Sash removal

Remove the pin in sash closed position only and in the handle position "Opened tilt" (vertically). Then, after removing the pin, turn the handle to "open" position and remove the sash.



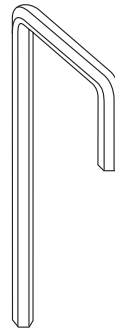
PIN ADJUSTMENT



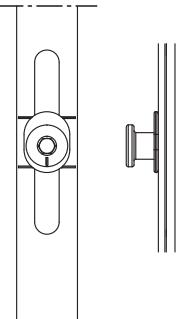
Locking pin	CP	Direction of rotation	Adjustment limits
			
			+/- 1
			

Komfort line K-3 hardware system is fitted with cylindrical rolling pins.

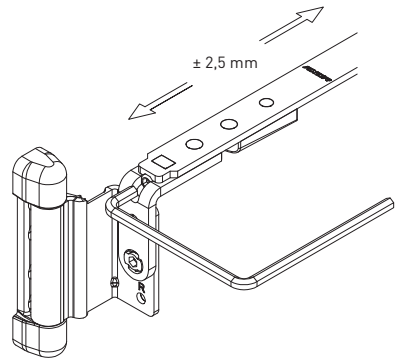
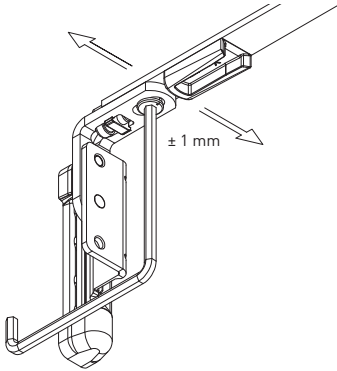
Individual components (corner transmission and middle lock) may be fitted with security (mushroom) pin as an option, which meets basic safety requirements.

The adjustment range of locking pins is +/- 1 mm. Pin diameter is 11 mm.

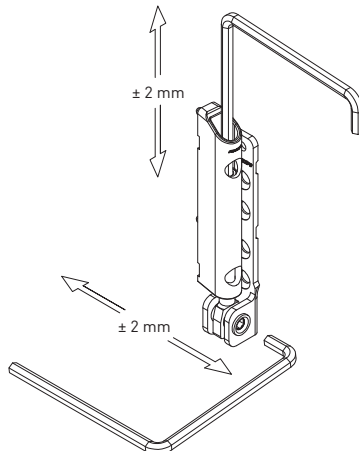


Locking pin	MP	Direction of rotation	Adjustment limits
			
			+/- 1
			

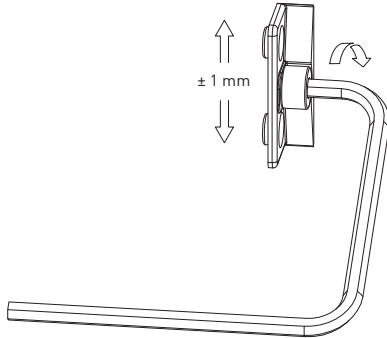
STAY ARM ADJUSTMENT



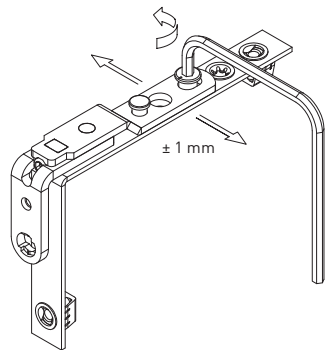
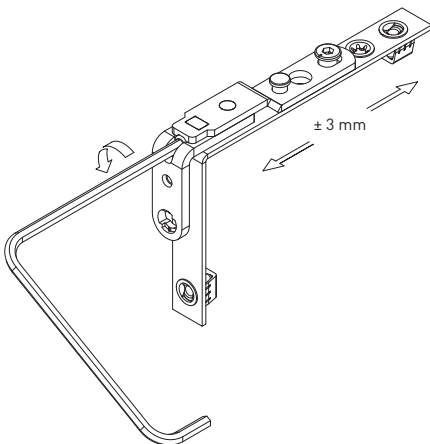
BOTTOM HINGE ADJUSTMENT



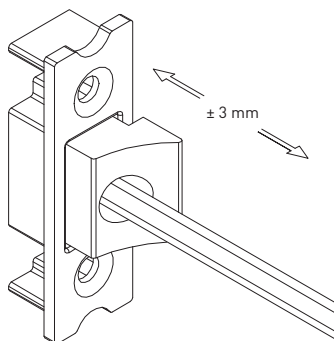
LIFTING PLATE ADJUSTMENT



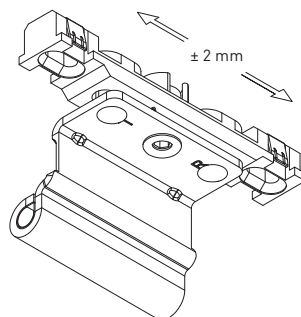
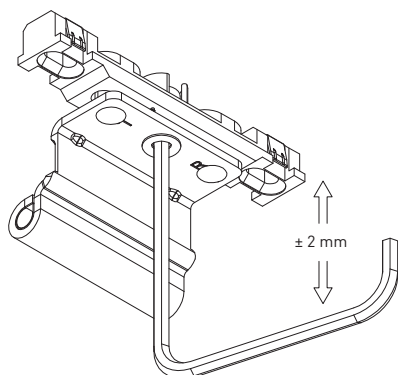
TURN STAY ARM ADJUSTMENT



CONCEALED MIDDLE HINGE SASH PART ADJUSTMENT



ADJUSTMENT OF BOTTOM HINGE FOR TILT SASH

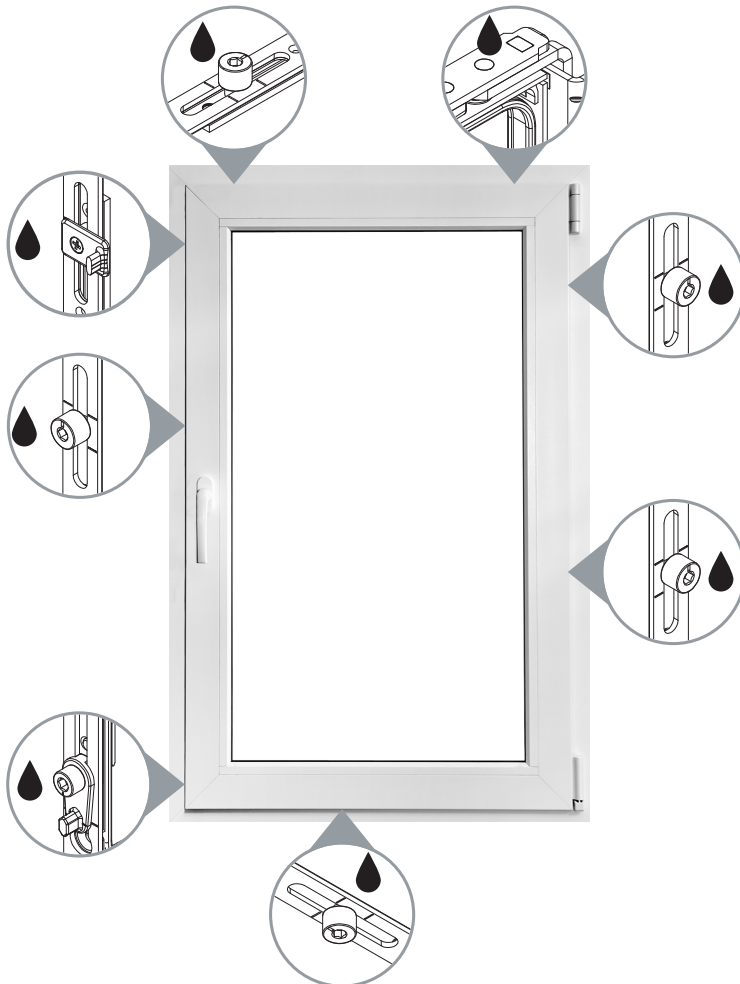


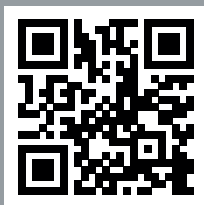
Adjustment to the left/right by loosening the screws fixing hinge to the profile with its further fixing in the desired position.

HARDWARE MAINTENANCE

For reliable and durable operation of the hardware it is necessary to stick to simple rules of operation:

1. Clean the hardware with pH-neutral cleaning agents
2. Avoid mechanical damage to elements and their surface
3. Avoid contact of the building materials with hardware
4. Avoid exposure of the hardware to aggressive acidic vapors
5. Lubricate regularly (once a year) all major hardware components





AXOR™

AXOR INDUSTRY

32, Truda Avenue,
Dnipro, 49051, Ukraine

tel. / fax: +38-056-766-0-766

Web-site: www.axorindustry.com